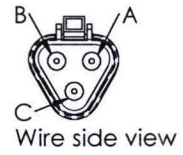


SETTINGS J1939		
BAUDRATE	250kb/s	
CYCLE TIME	10ms	
SOURCE ADDRESS	3 (03h)	
ID	0C000003	
TSC1	SPN695	(01b) Speed Control
	SPN696	N.A. (11b)
	SPN897	(00b) Highest Priority
	SPN898	800 - 2200 RPM
	SPN518	N.A. (00h)
	Byte 5	N.A. (FFh)
	Byte 6	N.A. (FFh)
	Byte 7	N.A. (FFh)
Byte 8	N.A. (FFh)	

N.A. = Not Activated or Not Applicable

**INCLUDED:**  
 WIRE HARNESS INTEGRATED INTERFACE  
 PARTS N°: PEHJ 0962 801 030  
 (801) = interface type  
 (030) = length in cm  
**Not removable**



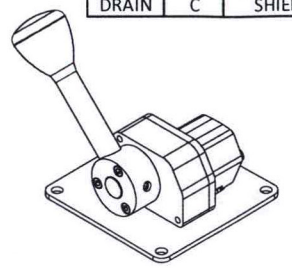
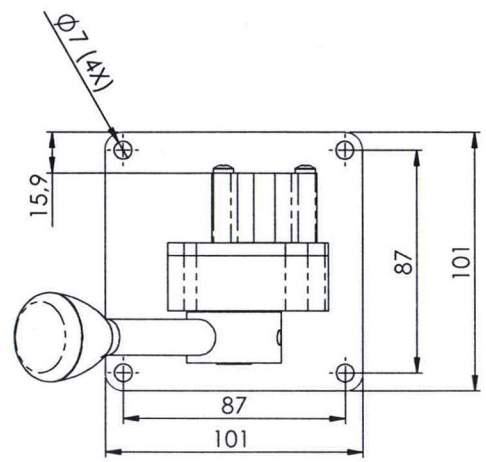
- 1X Connector : Deutsch Nr. DT06-3S-E008
- 2X Pin gold: Deutsch Nr. 0462-201-1631
- 1X Pin extended gold: Deutsch Nr. 0462-221-1631
- 1X Lock Plate : Deutsch Nr. W3S

J1939 HARNESS

COLOR	PIN N°	DESCRIPTION
YELLOW	A	CAN HIGH
GREEN	B	CAN LOW
DRAIN	C	SHIELD

SUPPLY HARNESS

COLOR	DESCRIPTION
BROWN	0V GROUND
ORANGE	+8 .. 32VDC



UNLESS OTHERWISE SPECIFIED: DIMENSIONS ARE IN MILLIMETERS TOLERANCES: LINEAR: +/- 1mm ANGULAR: +/- 1°		FINISH:	PROJECTION:	DO NOT SCALE DRAWING	SIZE: A3
DRAWN: JST		CREATED DATE: 14/01/2018		PART N°: <b>972 890 11</b>	
CHKD: SB		REV. DATE: 14/01/2019		TITLE: Top Mounted Hand throttle CAN J1939	
MATERIAL:			DWG NO. <b>506 079</b>	REV: -	
This drawing is confidential and remains the sole property of Mobile Control Systems S.A. This document is protected in accordance with the prevailing law.			WEIGHT: - gr	SCALE: 1:2	SHEET 1 OF 1